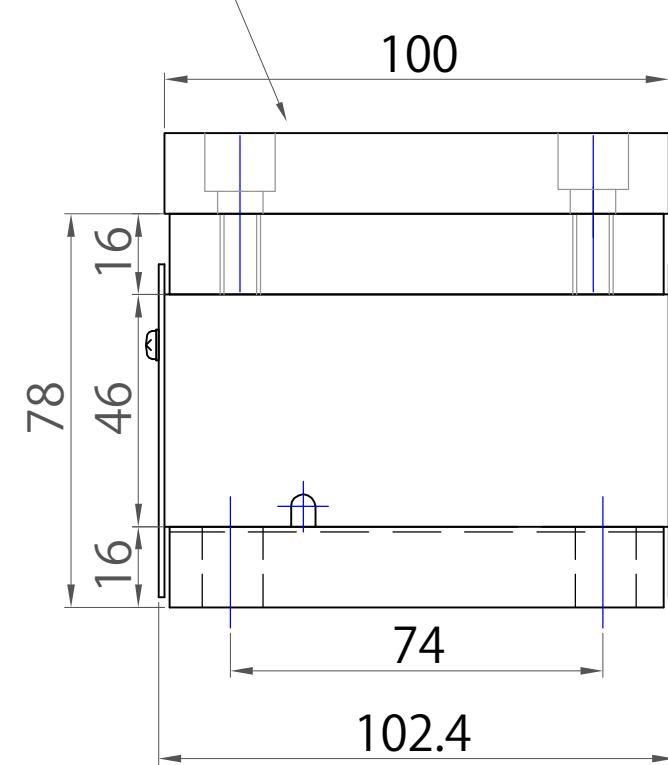


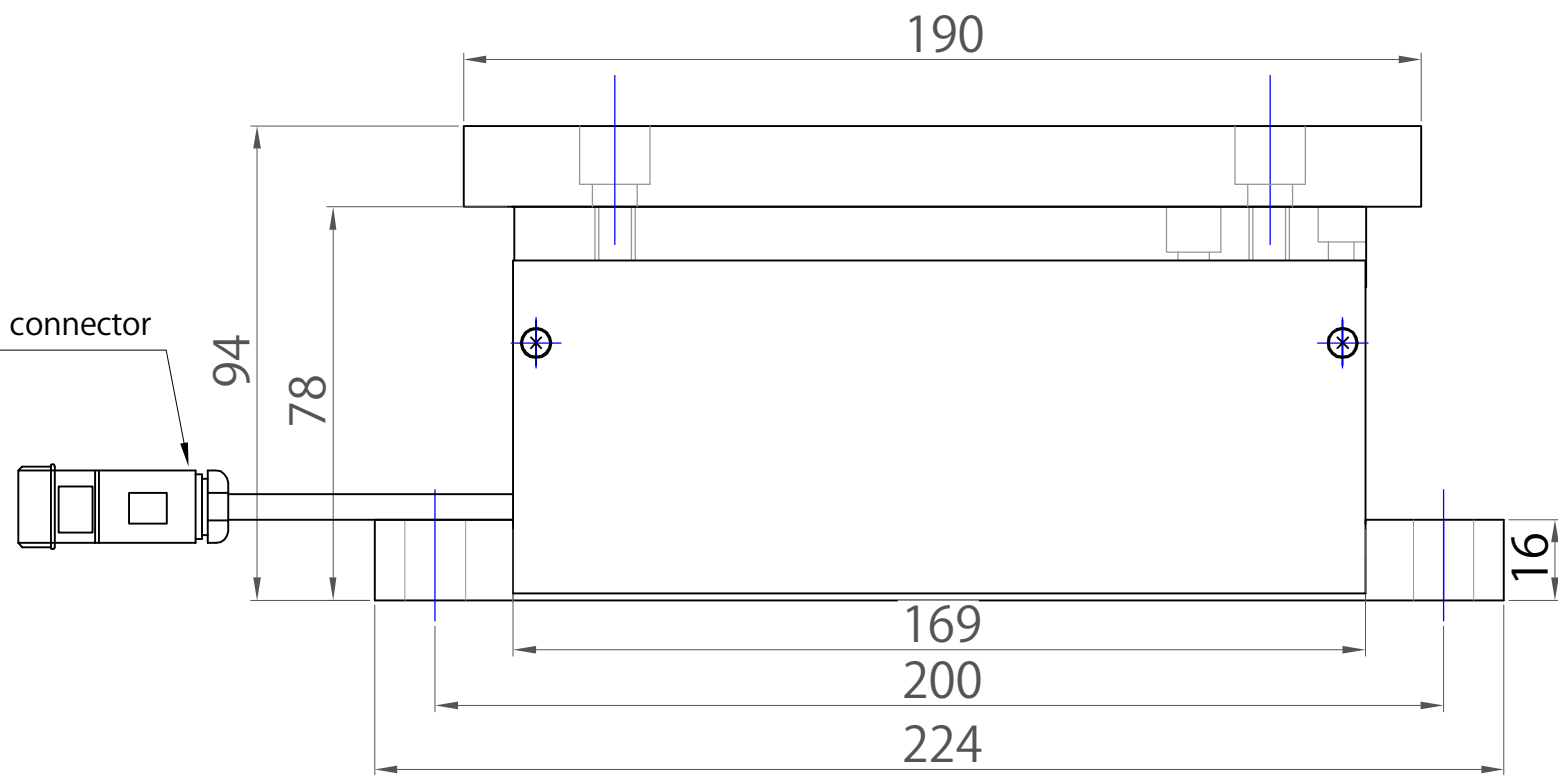
Please remove the pillow plate and meke holes for the pillow mounting

mounting hole
4- $\phi 12$

Roll center position



Signal connector



Surface treatment: chromate

ASAHI SOKKI	DATE	SCALE	DRAWN	DESIGNED	INSPECTED	DRAWING No	DESIGN No	MODEL	NAME
	2023,2,7								ST-200L